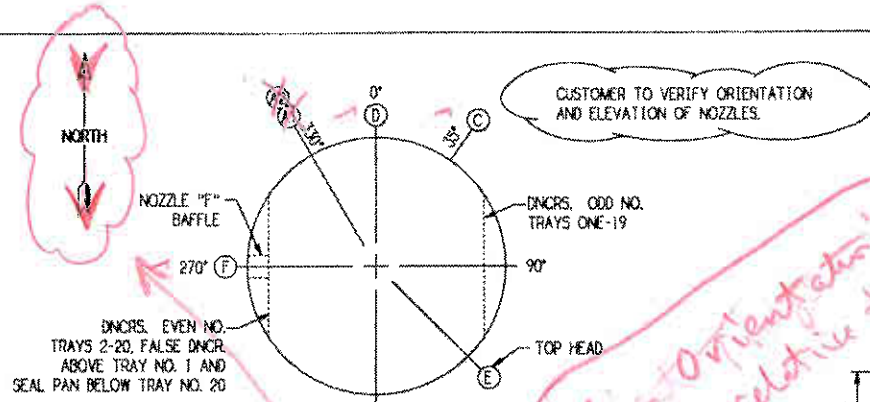
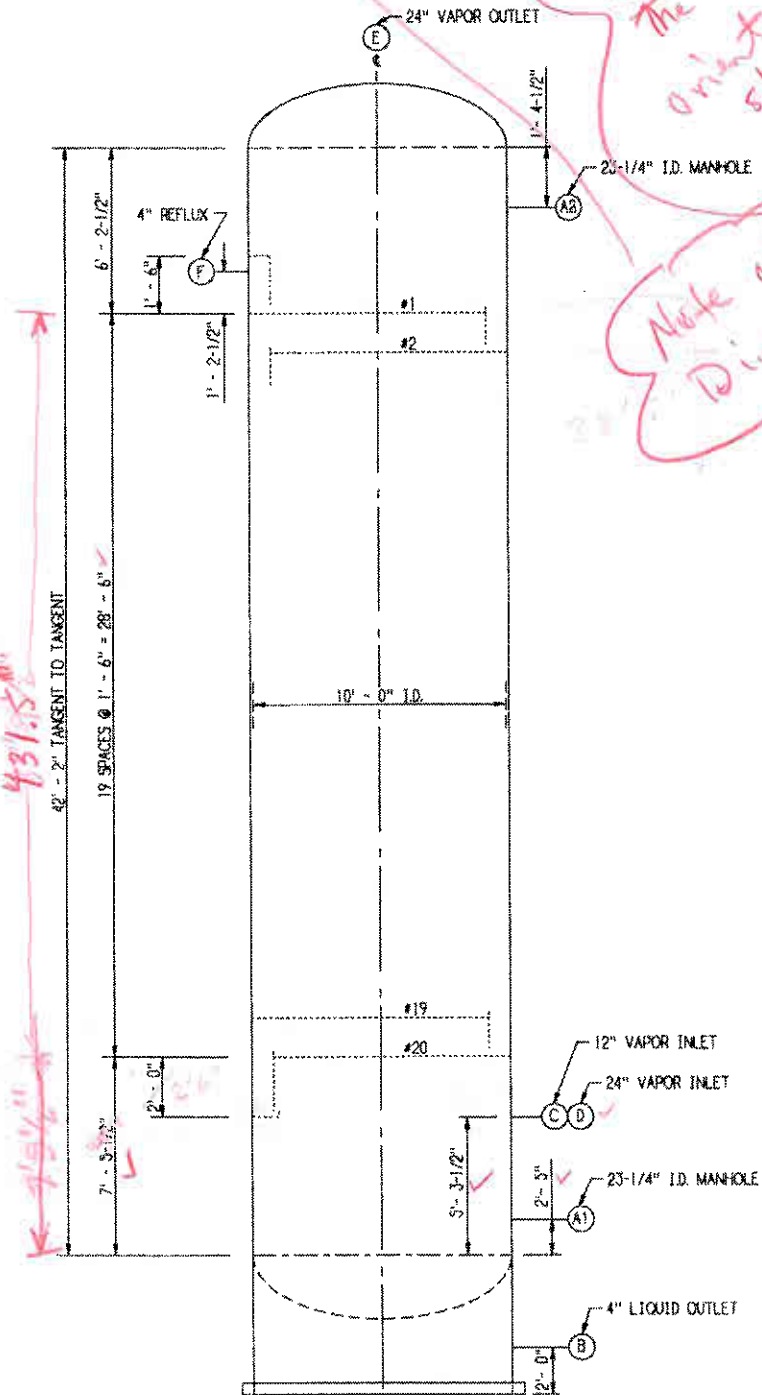
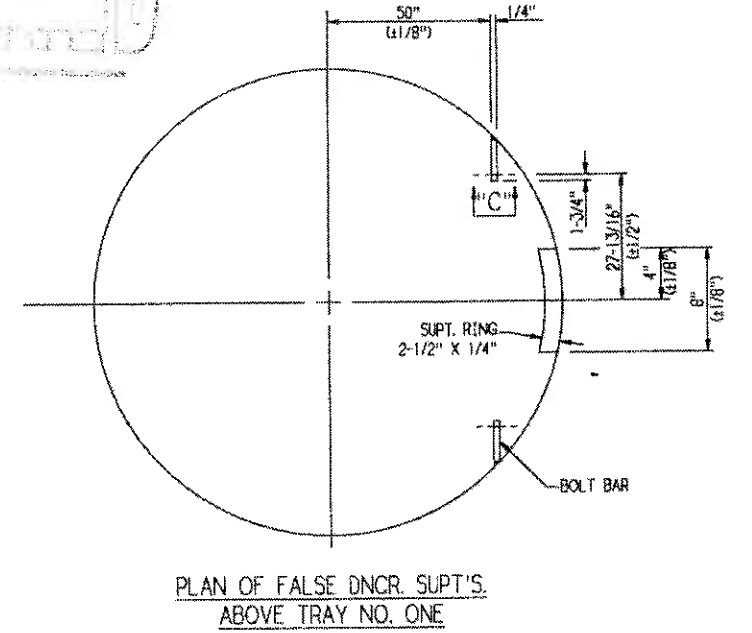
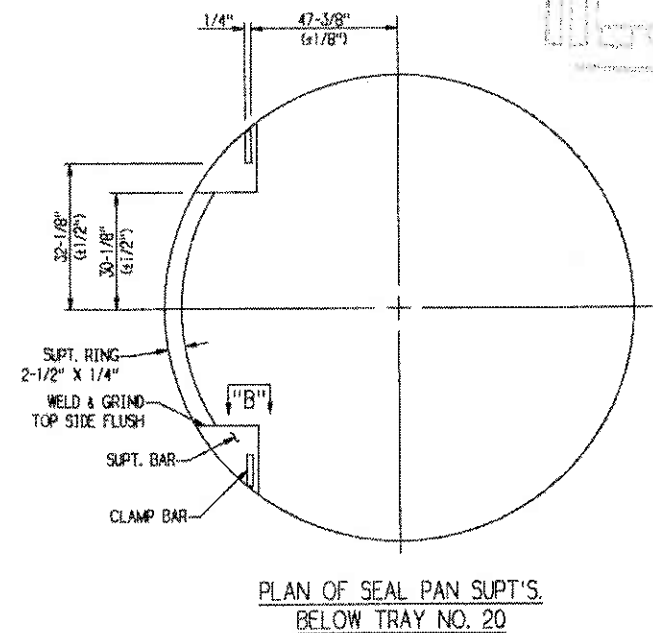
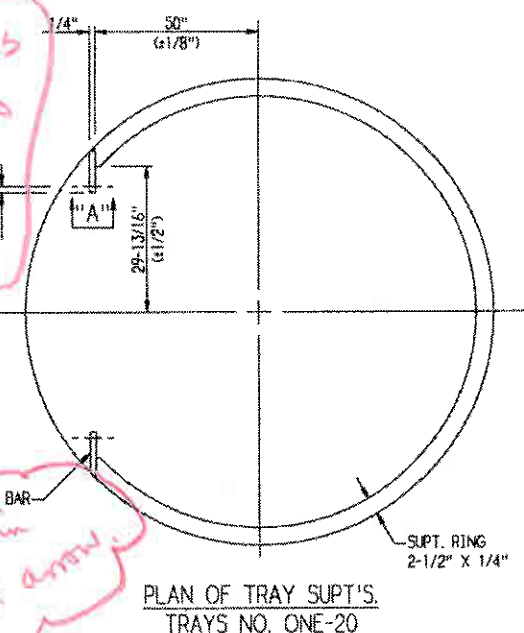


RECEIVED  
JUN 11 2006

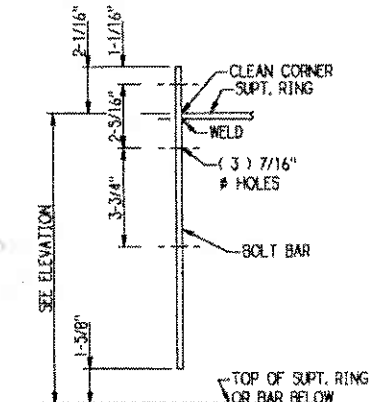


*Trays Orientation's Correct relative to the nozzle orientation shown.*

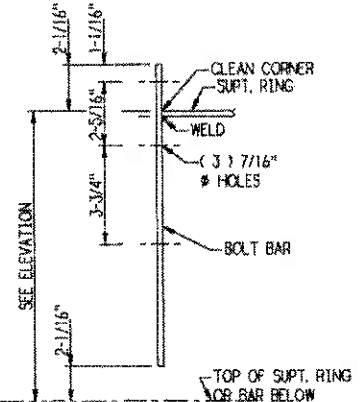
*Note change in Directional arrow.*



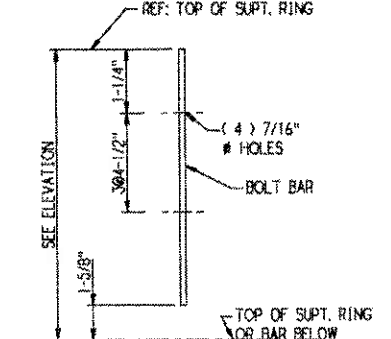
*431.5*  
*45.6*  
*42'-2" TANGENT TO TANGENT*



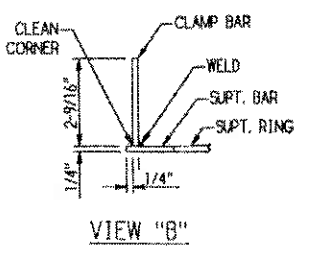
VIEW "A"  
TRAYS NO. ONE-19



VIEW "A"  
TRAY NO. 20



VIEW "C"  
ABOVE TRAY NO. ONE



VIEW "B"

DELTA-T CORPORATION	
CATEGORY	REMARKS
<input type="checkbox"/> REJECT	<input type="checkbox"/> NOT RELEASED
<input type="checkbox"/> REVISED	<input type="checkbox"/> RESUBMIT DRAWING
<input checked="" type="checkbox"/> REVISION WITH APPROVAL	<input checked="" type="checkbox"/> OK FOR FABRICATION

*Handwritten: J.W. Sp... 7-JUN-06*

**CUSTOMER NOTE:**  
Koch-Glitsch provides this drawing solely for Buyer's convenience in designing and fabricating parts to match equipment furnished by Koch-Glitsch. Buyer is solely responsible for providing corrosion and other allowances that may be required for specific process or mechanical considerations whether or not such processes or considerations have been communicated to Koch-Glitsch.

DELTA-T EQUIPMENT DESCRIPTION		
PROJECT NO.	TAG NO.	DESCRIPTION
52231	ME-4201	RECTIFIER COLUMN / TRAYS

- OTHER TOLERANCES:**
- TILTING OF SUPPORT RING OVER ITS WIDTH SHALL NOT EXCEED ±1°
  - RING FLATNESS DEFECTS OVER ANY 12" CHORD 0.0625"
  - ORIENTATION MAXIMUM OFFSET FROM TRUE SHELL CENTERLINE 0.25"
  - OUT OF ROUNDNESS AND STRAPPING AS PER ASME CODE

EQUIPMENT DESCRIPTION			
QUAN	ITEM	DESCRIPTION	REMARKS
20	K	ARRANGEMENT OF TRAYS	

DESCRIPTION OF REVISION			CHG BY/DATE	APP'D
1	REVISED P.O. NO.		GSG/SI May 06	GG

CUSTOMER'S IDENTIFICATION			
PURCHASED BY: DELTA-T, WILLIAMSBURG, VA			
P.O. NO.: 93223-2230615012			
USER: PINAL ENERGY		PLANT SITE: MARICOPA, AZ	
SPEC. NO: DELTA-T 169-S-CI-001		REFERENCE: NONE	
TOWER SERVICE: RECTIFIER		PLANT SECTION:	

**KOCH-GLITSCH**  
MASS TRANSFER TECHNOLOGY  
MODEL: ELV-001  
Koch-Glitsch LP  
USA / WICHITA

DRAWN BY: GSG	DATE: 27 APR 06	SALES ORDER NO.: 961896
CHECK BY: GG	DATE: 27 APR 06	PART NO.:
PROCESS: BRU	DATE: 28 APR 06	WORK ORDER NO.: 8031874
DRAWING ISSUE		TOWER I.D. 10' - 0"
APPROVED FOR FABRICATION BY: GSG DATE: 31 May 06		TOWER NO. C-4201
CERTIFIED FINAL AS FABRICATED BY: DATE:		DWG. NO.: 961896-D000
		SHT. 1 OF 1 REV. ◊

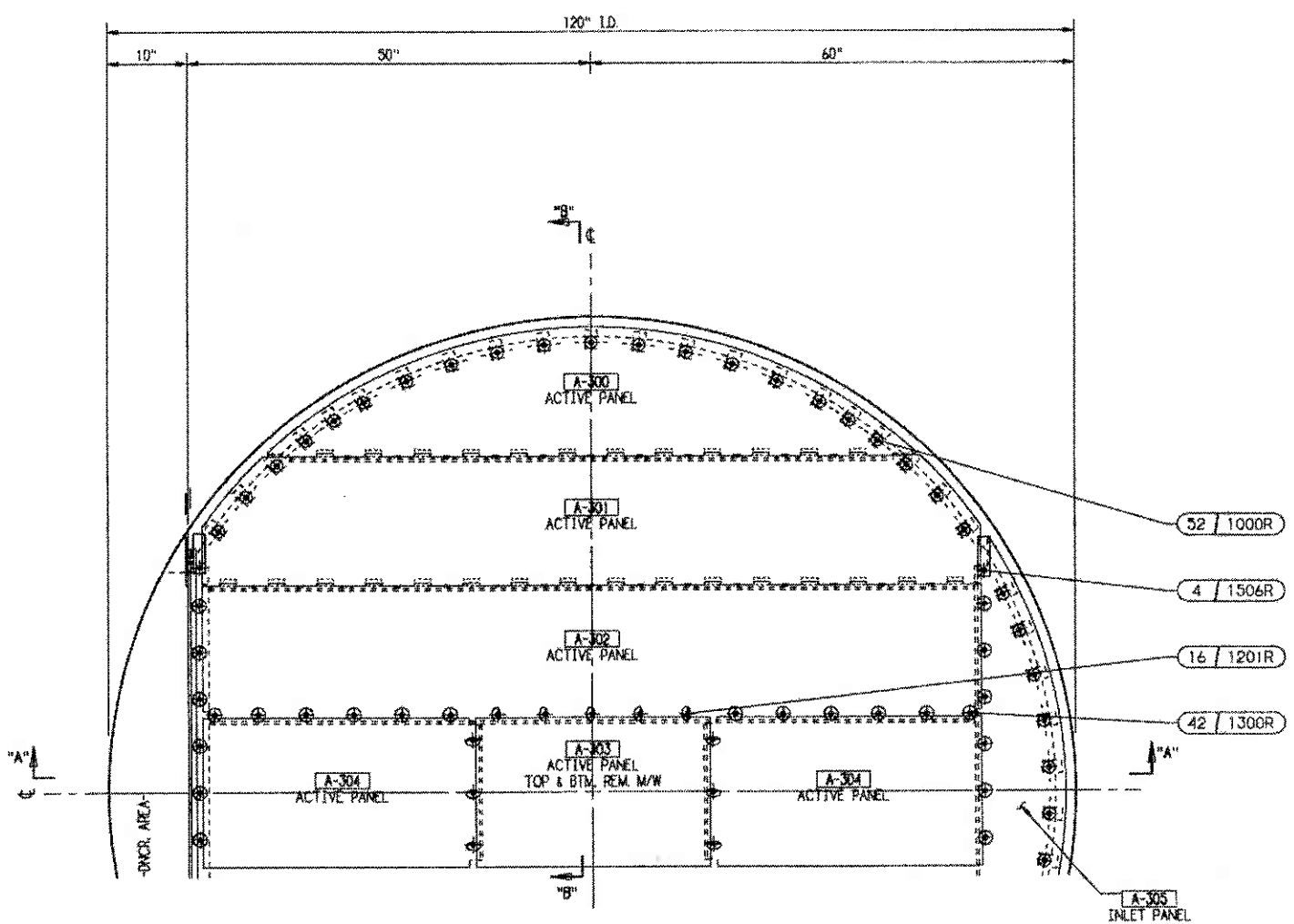
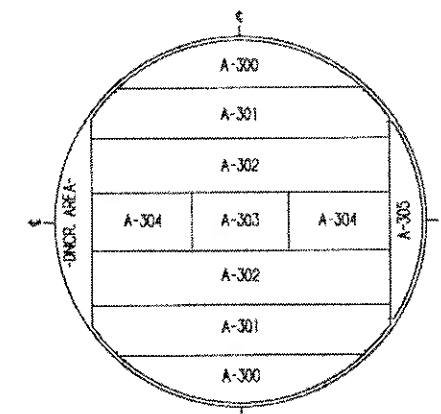
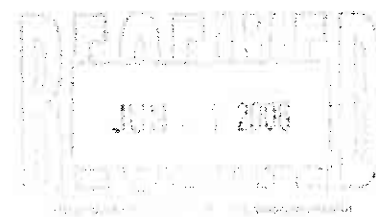
- NOTES**
1. TOWER MANHOLE I.D. ACTUAL: 23-1/4"
  2. TOWER ATTACHMENTS ARE FURNISHED BY OTHERS.
  3. DIMENSIONS ARE GIVEN IN: INCHES
  4. ANY MODIFICATIONS BY CUSTOMER OR ANY THIRD PARTY TO THE EQUIPMENT SHOWN ON THIS DRAWING WITHOUT THE PRIOR WRITTEN APPROVAL OF KOCH-GLITSCH WILL VOID ALL EXPRESSED AND IMPLIED WARRANTIES, INCLUDING ANY IMPLIED WARRANTIES OF MERCHANTABILITY OR FITNESS FOR PURPOSE.
  5. WELD CORROSION ALLOWANCE "CA" TO BE APPLIED TO THE THROAT DIMENSION.
  6. TRAYS ARE NUMBERED FROM TOP TO BOTTOM.
  7. UNLESS OTHERWISE NOTED, ALL TOWER ATTACHMENT DIMENSIONS TO BE WITHIN ±1/16".
  8. FOR TRUE ORIENTATION OF TRAYS, SEE ORIENTATION.

**REFERENCE DRAWINGS**  
DRAWING 961896-D001-1 FOR PLAN OF TRAYS NO. 1-20  
DRAWING 961896-D001-2 FOR DNCR. DETAILS OF TRAYS NO. 1-20

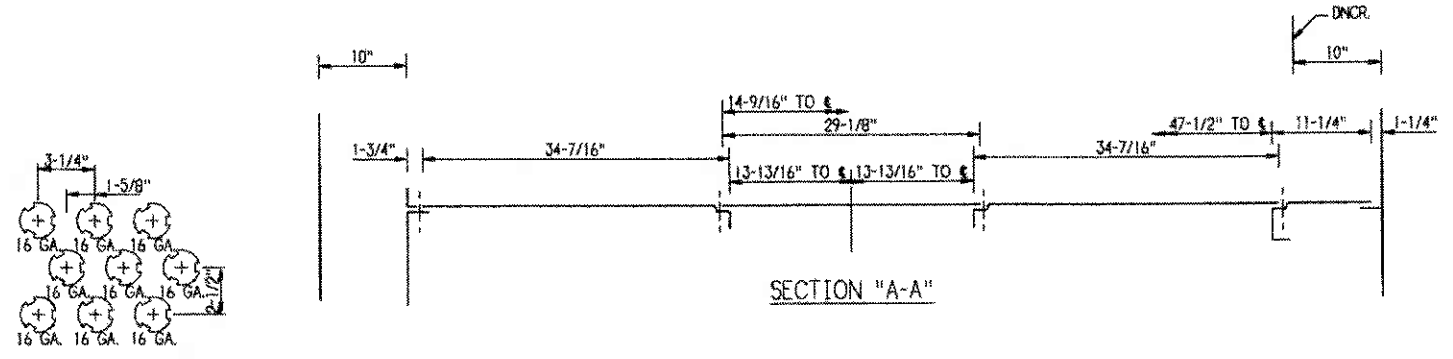
LIST OF MATERIAL	
DESCRIPTION	TYPE
SUPPORT RING	2-1/2" X 1/4"
BOLT BAR	1/4"

INSTALLATION DRAWING

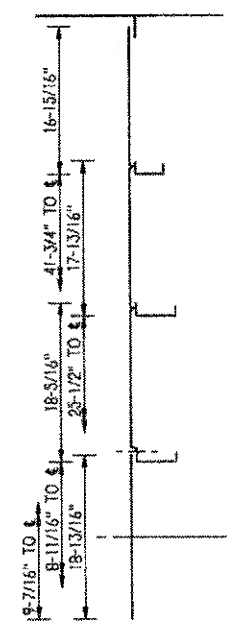
ASSEMBLY 1000R	ASSEMBLY 1201R	ASSEMBLY 1300R	ASSEMBLY 1506R
1 3/8 HEX NUT 891-340F 01 1 DOMED 1.5" OD. 802-340G 101 1 BTC "Y" 902-340G 03 1 3/8 X 2" BOLT 896-340F 1108	2 3/8 HEX NUT 891-340F 01 1 MW CLAMP(3/16") 860-340G 4 1 MW CLAMP(3/16") 861-340G 1 1 MW STUD (2") 865-340F 11	1 3/8 HEX NUT 891-340F 01 1 DOMED 1.75" OD. 802-340G 102 1 3/8 X 1" BOLT 896-340F 1104	1 3/8 HEX NUT 891-340F 01 1 SEAL PLATE (5") 909-340G 005 1 3/8 X 1" BOLT 896-340F 1104



HALF PLAN OF TRAYS  
1000 TYPE AC-5-U VALVES/TRAY  
TRAYS NO. ONE-20  
20 TRAYS REQ'D MK'D "A"



VALVE PITCH DETAIL



SECTION "B-B"

DELTA-T CORPORATION	
CATEGORY	REMARKS
<input type="checkbox"/> REJECTED	<input type="checkbox"/> NOT RELEASED
<input type="checkbox"/> REVIEWED	<input type="checkbox"/> RESUBMIT DRAWING
<input type="checkbox"/> WITH COMMENTS	<input checked="" type="checkbox"/> RELEASED FOR FABRICATION
<input checked="" type="checkbox"/> REVIEWED WITHOUT COMMENTS	
REVIEW FOR COMPLIANCE WITH THE PROCUREMENT DOCUMENTS ONLY.	

*Handwritten: JESSIE 7-JUN-2006*

- NOTES
- TOWER MAN-HOLE I.D. ACTUAL: 23-1/4"
  - PARTS SUPPLIED BY KOCH-GLITSCH ARE IDENTIFIED BY MARK # (E.G. A-301) ENCLOSED AS SHOWN [A-301].
  - BOLTING ASSEMBLIES ARE ENCLOSED THIS QUANTITY PER TRAY ASSEMBLY NUMBER (101/1010R)
  - DIMENSIONS ARE GIVEN IN INCHES
  - ANY MODIFICATIONS BY CUSTOMER OR ANY THIRD PARTY TO THE EQUIPMENT SHOWN ON THIS DRAWING WITHOUT THE PRIOR WRITTEN APPROVAL OF KOCH-GLITSCH WILL VOID ALL EXPRESSED AND IMPLIED WARRANTIES, INCLUDING ANY IMPLIED WARRANTIES OF MERCHANTABILITY OR FITNESS FOR PURPOSE.
  - TRAYS ARE NUMBERED FROM TOP TO BOTTOM.
- REFERENCE DRAWINGS  
DRAWING 961896-0000-1 FOR ARRANGEMENT OF TRAYS  
DRAWING 961896-0001-2 FOR DNCR. DETAILS OF TRAYS NO. 1-20

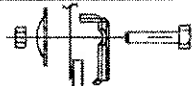
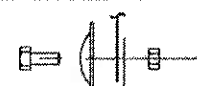
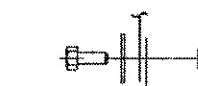

DESCRIPTION	TYPE & THICKNESS
ACTIVE PANEL	304L - 14 GA.
VALVE	304L - 16 GA.
HOLDDOWN	
INLET PANEL	304L - 12 GA.
BEAMS	
DOWNCOMER BEAM	304L - 14 GA.
PLATE	304L - 14 GA.
SEAL PAN	304L - 14 GA.
BOLT	304L
NUT	304L
MISC. HARDWARE	304L
TOWER ATTACHMENTS	2-1/2" X 1/4"

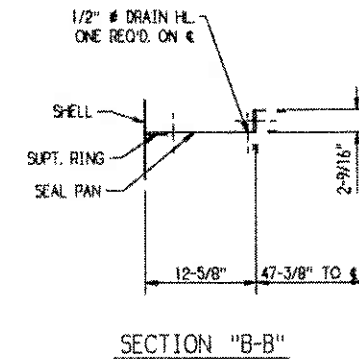
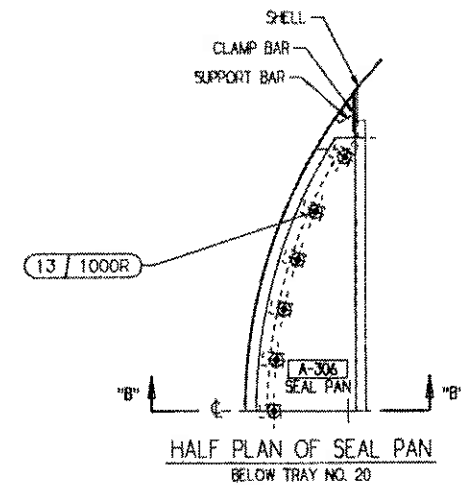
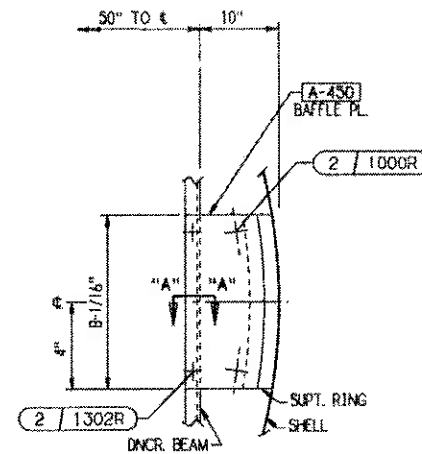
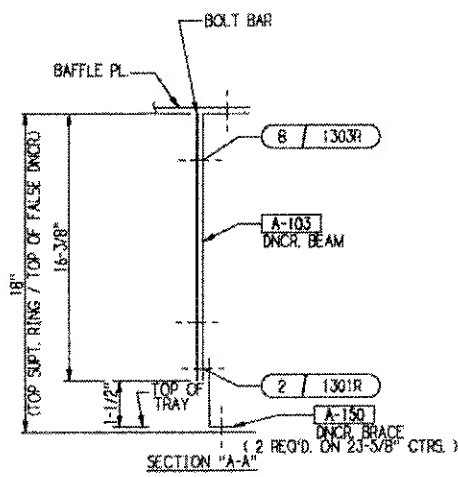
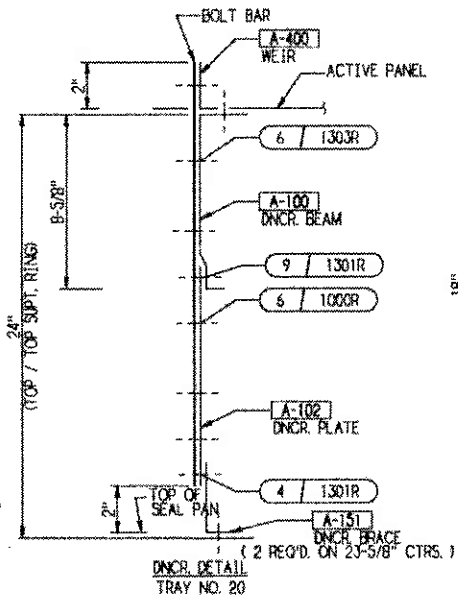
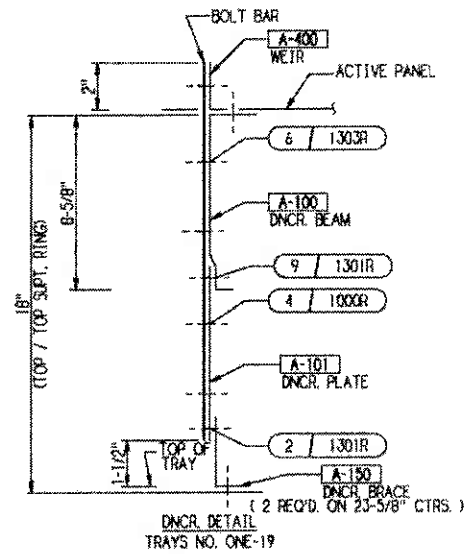
DELTA-T EQUIPMENT DESCRIPTION		
PROJECT NO.	TAG NO.	DESCRIPTION
52231	ME-4201	RECTIFIER COLUMN / TRAYS
EQUIPMENT DESCRIPTION		
QUAN	ITEM	DESCRIPTION
20	K	FLEXITRAY® TRAYS "A" NO. ONE-20
CUSTOMER'S IDENTIFICATION		
PURCHASED BY: DELTA-T, WILLIAMSBURG, VA		
P.O. NO.: 93223-2230615012		
USER: PINAL ENERGY		PLANT SITE: MARICOPA, AZ
SPEC. NO.: DELTA-T 169-S-C1-001		REFERENCE: NONE
TOWER SERVICE: RECTIFIER		PLANT SECTION:

LIST OF MATERIAL		CUSTOMER'S IDENTIFICATION	
DRAWN BY: GSG		DATE: 27 APR 06	
CHECK BY: GG		DATE: 27 APR 06	
PROCESS: BRU		DATE: 28 APR 06	
DRAWING ISSUE		TOWER I.D. 10' - 0"	
APPROVED FOR FABRICATION BY: GSG		TOWER NO. C-4201	
DATE: 31 May 06		DWG. NO.: 961896-0001	
CERTIFIED FINAL AS FABRICATED BY:		SHIT. 1 of 2	
DATE:		REV. ◊	

INSTALLATION DRAWING

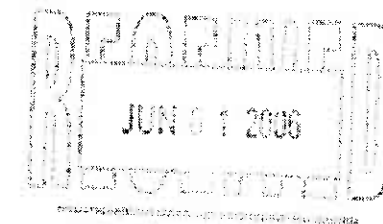
NOTES: KOCH-GLITSCH EQUIPMENT AND ACCESSORIES MAY BE ORDERED BY VARIOUS UNITED STATES AND FOREIGN PARTS AND FINANCING DIVISIONS. THIS DOCUMENT IS THE PROPERTY OF KOCH-GLITSCH. IT IS TO BE USED ONLY FOR THE PROJECT AND SITE SPECIFICALLY IDENTIFIED HEREIN. IT IS TO BE RETURNED TO KOCH-GLITSCH AT THE END OF THE PROJECT. THIS DOCUMENT IS THE PROPERTY OF KOCH-GLITSCH. IT IS TO BE USED ONLY FOR THE PROJECT AND SITE SPECIFICALLY IDENTIFIED HEREIN. IT IS TO BE RETURNED TO KOCH-GLITSCH AT THE END OF THE PROJECT.

			
ASSEMBLY 1000R	ASSEMBLY 1301R	ASSEMBLY 1302R	ASSEMBLY 1303R
1 3/8 HEX NUT 891-340F 01 1 DOMED 1.5" OD. 802-340G 101 1 BTC "Y" 902-340G 03 1 3/8 X 2" BOLT 896-340F 1108	1 3/8 HEX NUT 891-340F 01 1 DOMED 1.5" OD. 802-340G 101 1 3/8 X 1" BOLT 896-340F 1104	1 3/8 HEX NUT 891-340F 01 1 WASHER 1" OD. 800-340G 010801 1 3/8 X 1" BOLT 896-340F 1104	1 3/8 HEX NUT 891-340F 01 1 DOMED 1.5" OD. 802-340G 101 1 3/8 X 2" BOLT 896-340F 1108



<b>DELTA-T CORPORATION</b>	
CATEGORY	REMARKS
<input type="checkbox"/> REJECTED	<input type="checkbox"/> NOT RELEASED
<input type="checkbox"/> REVIEWED	<input type="checkbox"/> RESUBMIT DRAWING
<input checked="" type="checkbox"/> REVIEWED WITH COMMENTS	<input checked="" type="checkbox"/> RELEASED FOR FABRICATION
<input type="checkbox"/> REVIEWED WITHOUT COMMENTS	
REVIEW IS FOR COMPLIANCE WITH THE PROCUREMENT DOCUMENTS ONLY.	

*Wilson*  
07. JUN 1 2006



**NOTES**

- TOWER MAN-HOLE I.D. ACTUAL: 23-1/4"
- PARTS SUPPLIED BY KOCH-GLITSCH ARE IDENTIFIED BY MARK # (E.G. A-301) ENCLOSED AS SHOWN [A-301]
- BOLTING ASSEMBLIES ARE ENCLOSED THIS QUANTITY PER TRAY ASSEMBLY NUMBER (101 / 1010R)
- DIMENSIONS ARE GIVEN IN: INCHES
- ANY MODIFICATIONS BY CUSTOMER OR ANY THIRD PARTY TO THE EQUIPMENT SHOWN ON THIS DRAWING WITHOUT THE PRIOR WRITTEN APPROVAL OF KOCH-GLITSCH WILL VOID ALL EXPRESSED AND IMPLIED WARRANTIES, INCLUDING ANY IMPLIED WARRANTIES OF MERCHANTABILITY OR FITNESS FOR PURPOSE.
- TRAYS ARE NUMBERED FROM TOP TO BOTTOM.

**REFERENCE DRAWINGS**

DRAWING 961896-D000-1 FOR ARRANGEMENT OF TRAYS  
DRAWING 961896-D001-1 FOR PLAN OF TRAYS NO. 1-20

<b>DELTA-T EQUIPMENT DESCRIPTION</b>			
PROJECT NO. 52231	TAG NO. ME-4201	DESCRIPTION RECTIFIER COLUMN / TRAYS	
<b>EQUIPMENT DESCRIPTION</b>			
QUAN 20	ITEM K	DESCRIPTION DNCR DETAILS OF TRAYS NO. ONE-20	REMARKS
<b>CUSTOMER'S IDENTIFICATION</b>			
PURCHASED BY: DELTA-T, WILLIAMSBURG, VA			
P.O. NO.: 93223-2230615012			
USER: PINAL ENERGY		PLANT SITE: MARICOPA, AZ	
SPEC. NO.: DELTA-T 169-5-CI-001		REFERENCE: NONE	
TOWER SERVICE: RECTIFIER		PLANT SECTION:	
<b>KOCH-GLITSCH</b>		<b>KOCH-GLITSCH LP</b> USA / WICHITA	
MASS TRANSFER TECHNOLOGY		MODEL: VLB-110FL FLEXITRAY® TRAYS	
DRAWN BY: GSG	DATE: 27 APR 06	SALES ORDER NO.: 961896	
CHECK BY: GG	DATE: 27 APR 06	PART NO.: 96189601	
PROCESS: BRU	DATE: 28 APR 06	WORK ORDER NO.: 9031873	
DRAWING ISSUE		TOWER I.D. 10' - 0"	TOWER NO. C-4201
APPROVED FOR FABRICATION:	CERTIFIED FINAL AS FABRICATED:	DWG. NO.: 961896-D001	
BY: GSG	BY:	SHT. 2 OF 2	
DATE: 31 May 06	DATE:	REV. ◊	

INSTALLATION DRAWING

NOTICE: KOCH-GLITSCH EQUIPMENT AND PARTS ARE MANUFACTURED IN THE UNITED STATES AND FOREIGN COUNTRIES. THIS DRAWING AND THE INFORMATION CONTAINED HEREIN IS THE PROPERTY OF KOCH-GLITSCH LP. IT IS TO BE USED ONLY FOR THE PROJECT AND FOR THE EQUIPMENT SPECIFICALLY IDENTIFIED HEREIN. IT IS NOT TO BE REPRODUCED, COPIED, OR TRANSMITTED IN ANY FORM OR BY ANY MEANS, ELECTRONIC OR MECHANICAL, INCLUDING PHOTOCOPYING, RECORDING, OR BY ANY INFORMATION STORAGE AND RETRIEVAL SYSTEM, WITHOUT THE WRITTEN PERMISSION OF KOCH-GLITSCH LP. IN THE EVENT THAT THIS DOCUMENT IS NOT PRINTED CORRECTLY, THE CUSTOMER SHALL BE RESPONSIBLE FOR VERIFYING THE DIMENSIONS AND THE INFORMATION CONTAINED HEREIN. THIS DOCUMENT, INCLUDING ANY CORRECTIONS, IS THE PROPERTY OF KOCH-GLITSCH LP. IT IS TO BE USED ONLY FOR THE PROJECT AND FOR THE EQUIPMENT SPECIFICALLY IDENTIFIED HEREIN. IT IS NOT TO BE REPRODUCED, COPIED, OR TRANSMITTED IN ANY FORM OR BY ANY MEANS, ELECTRONIC OR MECHANICAL, INCLUDING PHOTOCOPYING, RECORDING, OR BY ANY INFORMATION STORAGE AND RETRIEVAL SYSTEM, WITHOUT THE WRITTEN PERMISSION OF KOCH-GLITSCH LP.